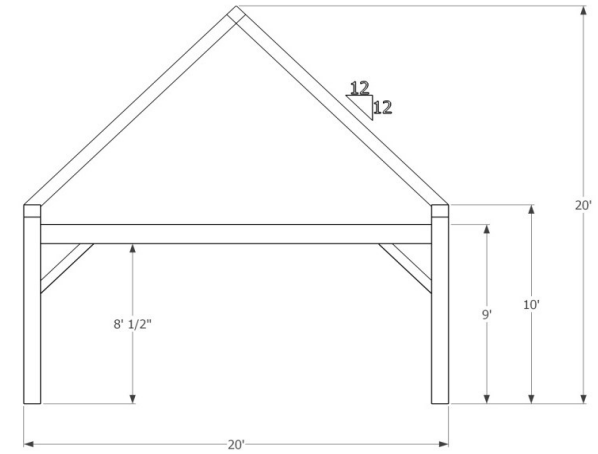
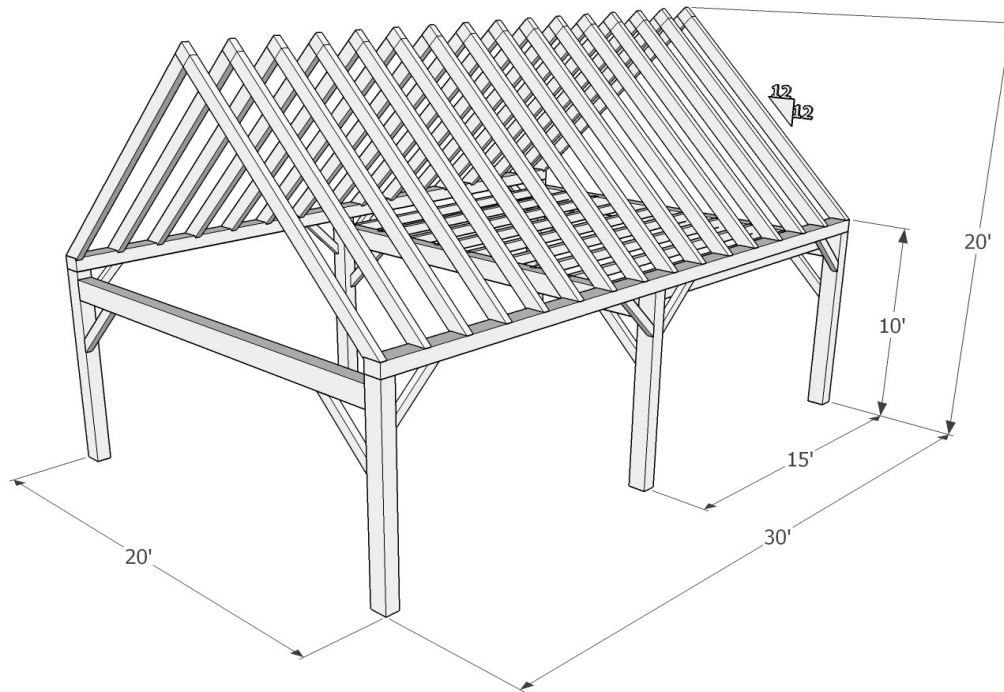
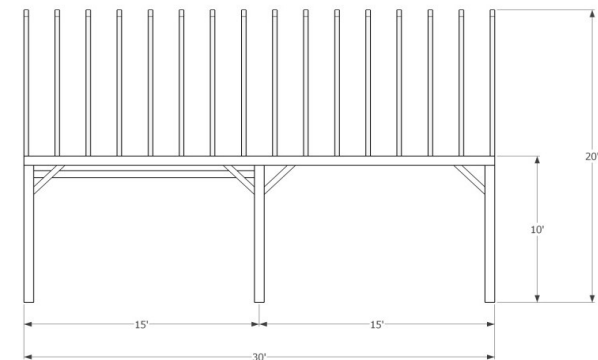


# The HOLLEFORD Series - 20' x 30'



Bent View



Side View

This time tested timber frame design has classic style, and ample size. With good proportions, this timber frame package will make a great home or cottage. The frame footprint is 600 ft<sup>2</sup> and has a total living space of 882 ft<sup>2</sup> with loft included.

	<u><i>E. White Pine</i></u>	<u><i>Douglas Fir FoHC</i></u>	
<i>Shop Work &amp; Design:</i>	\$28,910.00	\$36,230.00	
<u><i>Delivery &amp; Installation starting at*:</i></u>	<u>\$12,960.00</u>	<u>\$12,960.00</u>	
<b>Total:</b>	<b>\$41,870.00</b>	<b>\$49,190.00</b>	+hst

+Add optional V-Joint decking installed on ceilings & lofts: please contact us for details and pricing

<u>Details:</u>	
<i>Sanding of timbers:</i>	Yes
<i>Clear oil based stain:</i>	Yes
<i>Engineering of timber work:</i>	Yes
<i>Timber frame footprint (sq.ft.)</i>	600.0
<i>Total living space w/ loft (sq. ft.)</i>	882.0



1948 Sharpe's Lane, Brockville, ON K6V 5T1  
 Office: (613) 498-2406 / Cell: (613) 803-3241  
[www.gibson timber frames.com](http://www.gibson timber frames.com)  
[info@gibson timber frames.com](mailto:info@gibson timber frames.com)

\* Within 100km of our shop. Delivery and Installation costs may increase at greater distances.

^ Please contact us for details and current pricing.