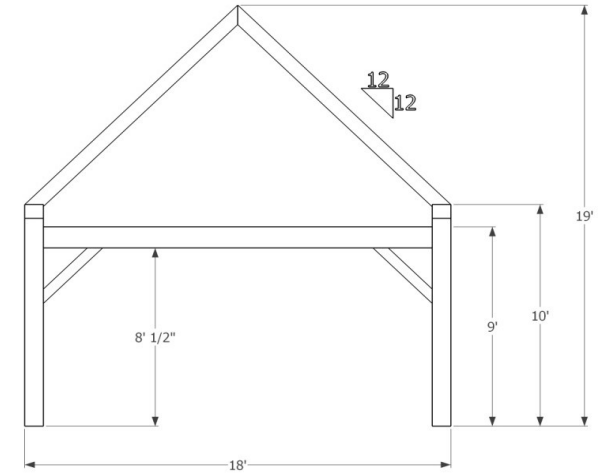
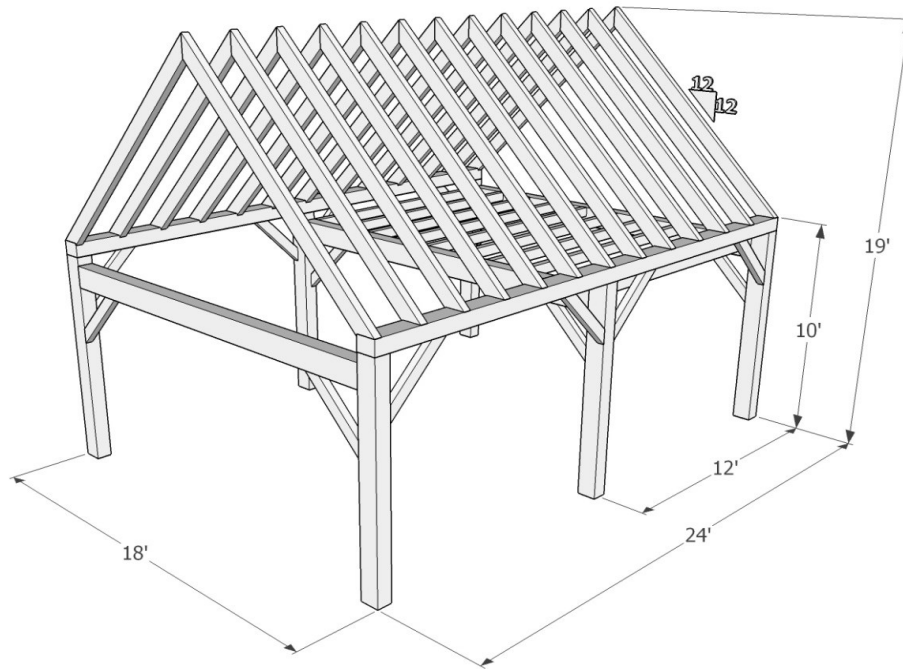
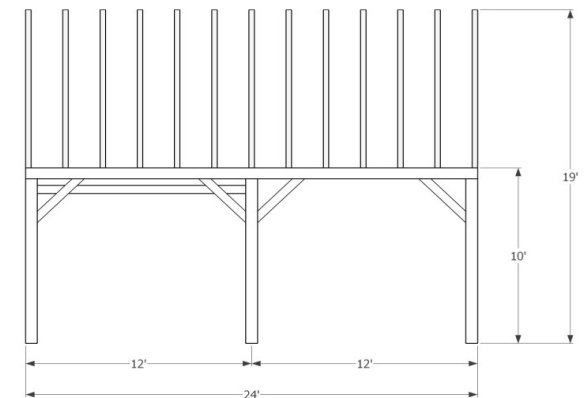


The HOLLEFORD Series - 18' x 24'



Bent View



Side View

The 18' span of this frame allows us to create a building without any central posts, yet large enough for a garage, studio, cottage, or cabin in the woods. It could also be built as part of a hybrid frame. The frame footprint is 432 ft², and the total living space with loft equals 634 ft².

	<u>E. White Pine</u>	<u>Douglas Fir FoHC</u>	
<i>Shop Work & Design:</i>	\$23,765.00	\$29,295.00	
<i>Delivery & Installation starting at*:</i>	\$10,875.00	\$10,875.00	
Total:	\$34,640.00	\$40,170.00	+hst

+Add optional V-Joint decking installed on ceilings & lofts: please contact us for details and pricing

<u>Details:</u>	
<i>Sanding of timbers:</i>	Yes
<i>Clear oil based stain:</i>	Yes
<i>Engineering of timber work:</i>	Yes
<i>Timber frame footprint (sq.ft.)</i>	432.0
<i>Total living space w/ loft (sq. ft.)</i>	634.0



1948 Sharpe's Lane, Brockville, ON K6V 5T1
 Office: (613) 498-2406 / Cell: (613) 803-3241
www.gibson timber frames.com
info@gibson timber frames.com

* Within 100km of our shop. Delivery and Installation costs may increase at greater distances.

^ Please contact us for details and current pricing.