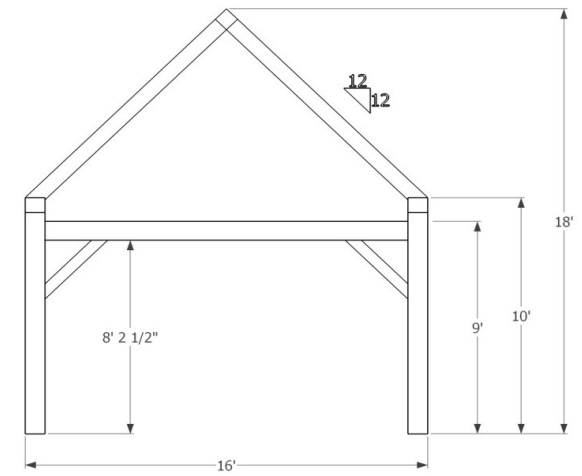
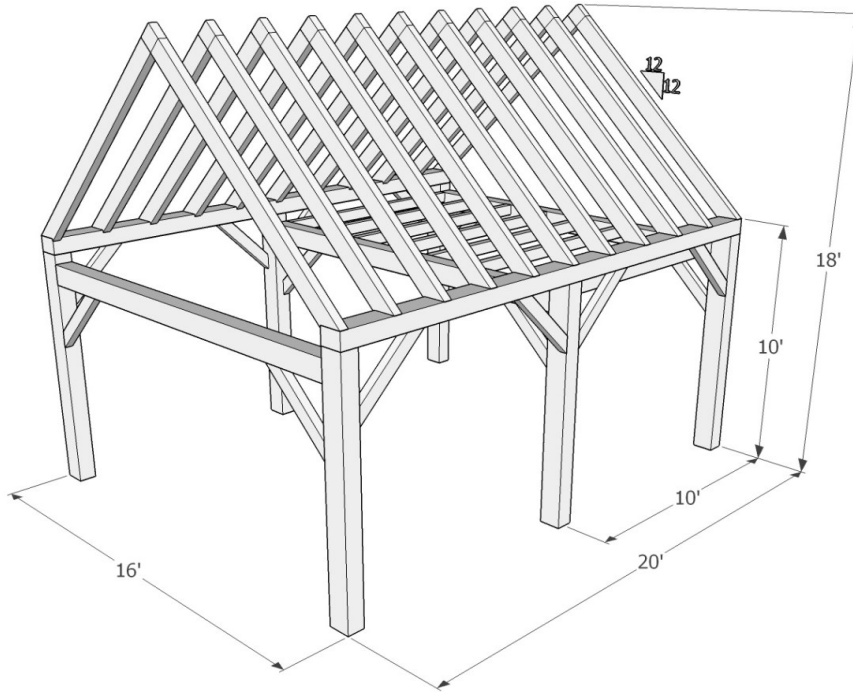
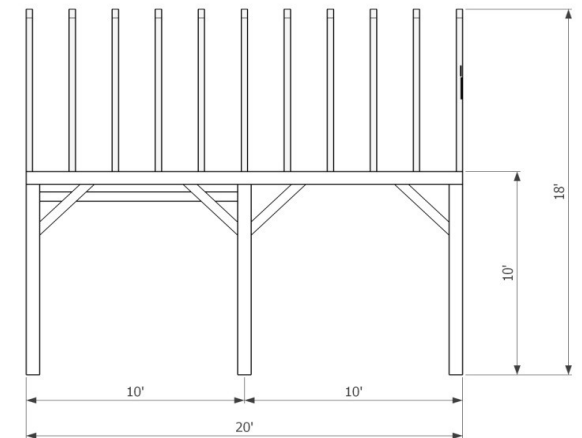


# The HOLLEFORD Series - 16' x 20'



Bent View



Side View

This attractive little frame can be used for many purposes including a studio, workshop or office; a small cottage or cabin in the woods. It is light enough to raise by hand, so it can be installed in harder to access locations. The frame footprint is 320 ft<sup>2</sup>, and the total living space with loft equals 468ft<sup>2</sup>.

	<u><i>E. White Pine</i></u>	<u><i>Douglas Fir FoHC</i></u>	
<i>Shop Work &amp; Design:</i>	\$20,355.00	\$24,725.00	
<u><i>Delivery &amp; Installation starting at*:</i></u>	<u>\$9,385.00</u>	<u>\$9,385.00</u>	
<b>Total:</b>	<b>\$29,740.00</b>	<b>\$34,110.00</b>	+hst

+Add optional V-Joint decking installed on ceilings & lofts: please contact us for details and pricing

<u><i>Details:</i></u>	
<i>Sanding of timbers:</i>	Yes
<i>Clear oil based stain:</i>	Yes
<i>Engineering of timber work:</i>	Yes
<i>Timber frame footprint (sq.ft.)</i>	320.0
<i>Total living space w/ loft (sq. ft.)</i>	468.0



1948 Sharpe's Lane, Brockville, ON K6V 5T1  
 Office: (613) 498-2406 / Cell: (613) 803-3241  
[www.gibson timber frames.com](http://www.gibson timber frames.com)  
[info@gibson timber frames.com](mailto:info@gibson timber frames.com)

\* Within 100km of our shop. Delivery and Installation costs may increase at greater distances.

^ Please contact us for details and current pricing.