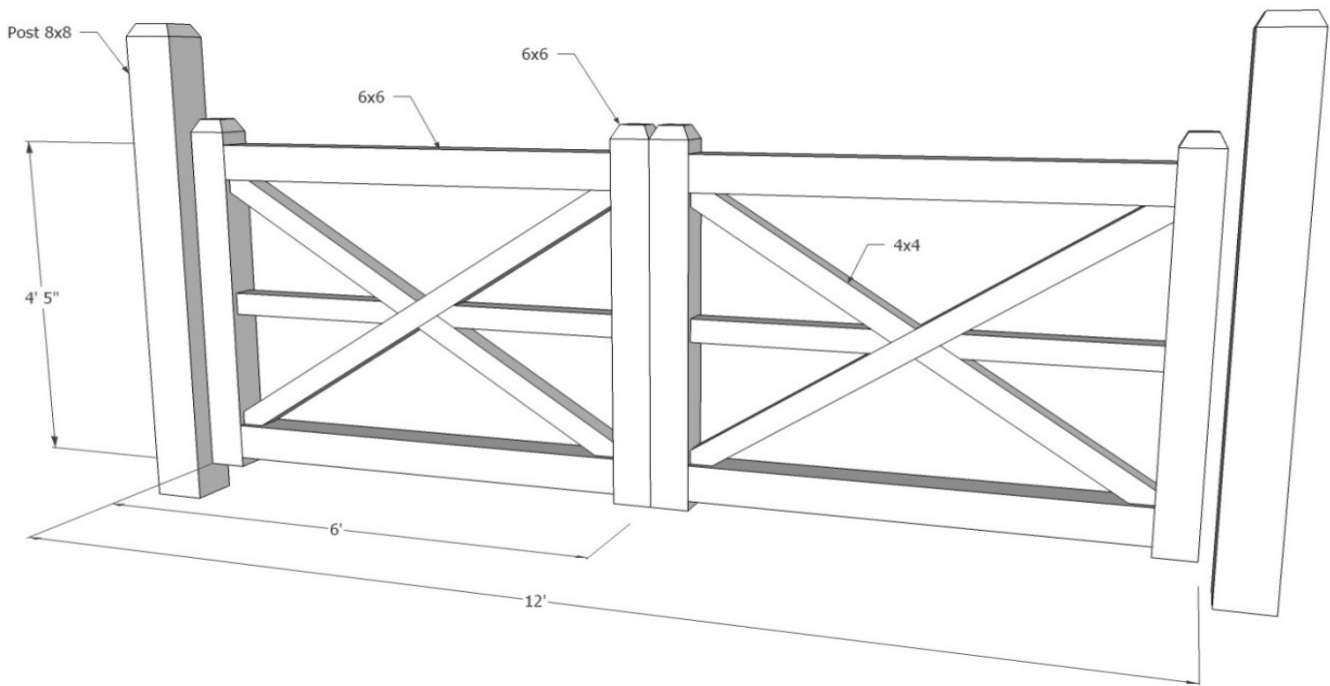




1948 Sharpe's Lane, Brockville, ON K6V 5T1  
 Office: (613) 498-2406 / Cell: (613) 803-3241  
[www.gibson timber frames.com](http://www.gibson timber frames.com)  
[info@gibson timber frames.com](mailto:info@gibson timber frames.com)

**Project:** 12' Entrance Gates  
**Location:** Calabogie, ON  
**Original estimate date:** April 2020

	<u><i>E. White Pine</i></u>	<u><i>Douglas Fir FoHC</i></u>	
<i>Shop Work &amp; Design:</i>	\$4,880.00	\$5,590.00	
<u><i>Delivery &amp; Installation:</i></u>	<u>\$3,260.00</u>	<u>\$3,260.00</u>	
<b>Total:</b>	<b>\$8,140.00</b>	<b>\$8,850.00</b>	+hst



**Details:**

Sanding of timbers:	Yes
Clear oil based stain:	Yes
Engineering of timber work:	No

\* Please contact us for current pricing.